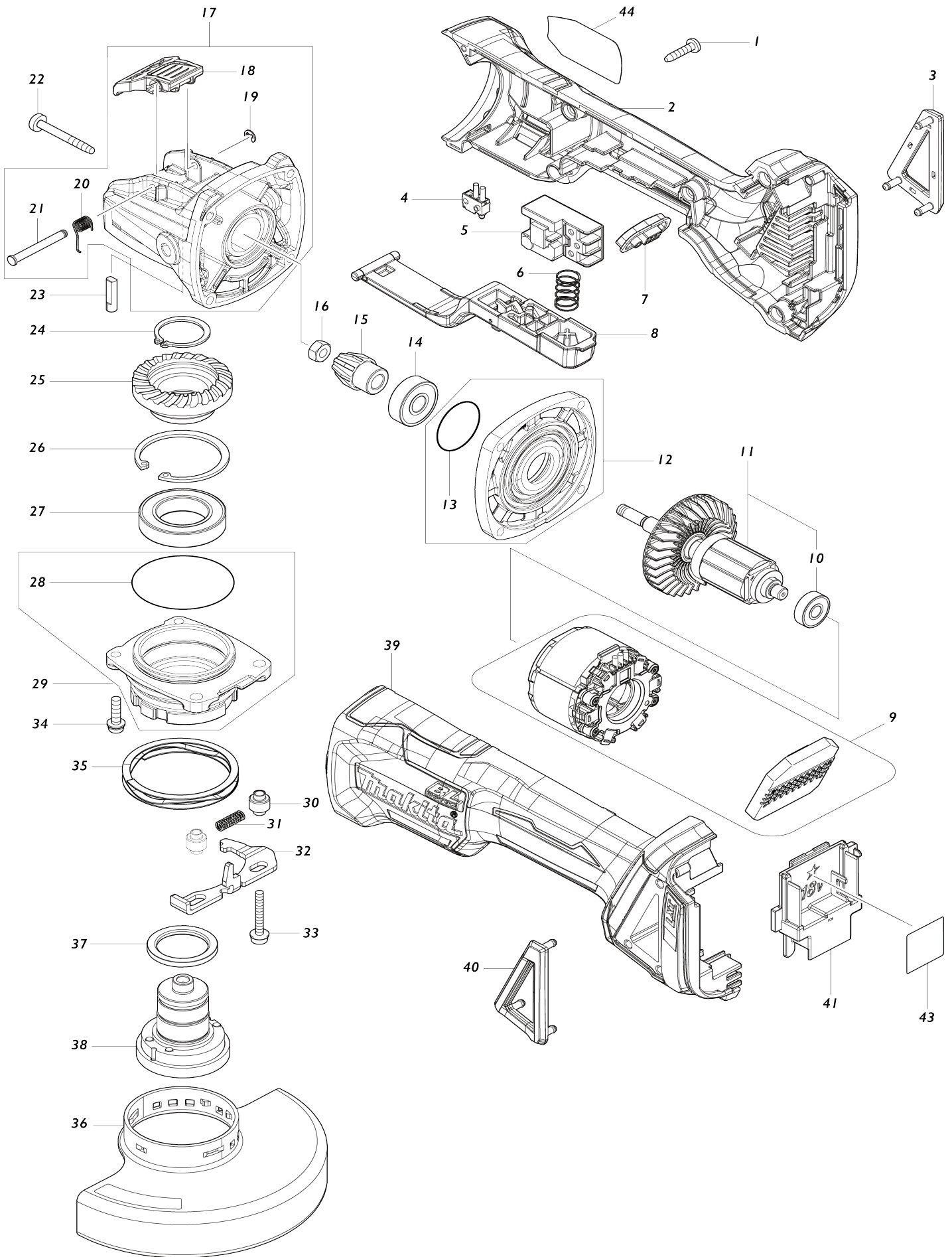


Model No.DGA520 125MM CORDLESS ANGLE GRINDER



Model No.DGA520 125MM CORDLESS ANGLE GRINDER

Item No.	Parts No.	Description
001	265B67-9	TAPPING SCREW 4X18
002	183J41-2	MOTOR HOUSING SET
C10	263005-3	RUBBER PIN 6
002		INC. 39
003	455450-8	DUST COVER R
004	632E12-1	SWITCH UNIT
005	650734-1	SWITCH TG73BDS-2
006	234357-9	COMPRESSION SPRING 11
007	142901-7	INDICATOR PANEL COMPLETE
008	142976-6	SWITCH LEVER COMPLETE
009	629203-3	STATOR COMPLETE
009-1	629B61-9	STATOR
010	210169-4	BALL BEARING 607LLB
011	510440-9	ROTOR ASS'Y
011		INC. 10
011-1	510440-9	ROTOR ASS'Y
011-1		INC. 10
012	136170-0	GEAR HOUSING COVER ASS'Y
012		INC. 13
013	213407-3	O RING 26
014	210042-8	BALL BEARING 629LLB
015	226950-3	SPIRAL BEVEL GEAR 10
016	252186-8	HEX. NUT M6
017	136209-9	GEAR HOUSING ASS'Y
017		INC. 18-21
018	459967-3	LEVER
019	961017-7	STOP RING E-3
020	232576-1	TORSION SPRING 5
021	256935-5	HEADED PIN 4
022	265B70-0	TAPPING SCREW 4X30
023	327460-4	SHAFT
024	961104-2	RETAINING RING S-24
025	226951-1	SPIRAL BEVEL GEAR 37
026	962201-7	RETAINING RING (INT) R-42
027	210208-0	BALL BEARING 6905DDW
028	213622-9	O RING 45
029	136199-6	BEARING BOX ASS'Y
029		INC. 28
030	327322-6	SLEEVE 4
031	232490-1	COMPRESSION SPRING 4
032	347615-5	LEVER
033	911159-7	PAN HEAD SCREW M4X30
034	911138-5	P.H.SCREW M4X20 WITH WR
035	232577-9	COLIED WAVE SPRING 49
035-1	232577-9	COLIED WAVE SPRING 49
036	347618-9	WHEEL COVER 125
036-1	141L27-4	WHEEL COVER 125 COMPLETE

C10	8050A1-8	CAUTION LABEL
037	327459-9	RING 25
038	127428-8	SPINDLE ASSEMBLY
039	183J41-2	MOTOR HOUSING SET
C10	263005-3	RUBBER PIN 6
039		INC. 2
040	455449-3	DUST COVER L
041	643874-2	TERMINAL
043	811Y70-2	DGA520 SERIAL NO. LABEL
044	811Y69-7	DGA520 NAME PLATE
048	620K34-9	CONTROLLER
049	652119-7	PAN HEAD SCREW M2X6
A02	158237-4	GRIP 36 COMPLETE
A05	199710-5	CUTTING W.C.A. 125 SET
F03	191G05-4	125MM DUST COLLECT COVER SET
F04	194514-0	VIBRATION PROOF GRIP SET